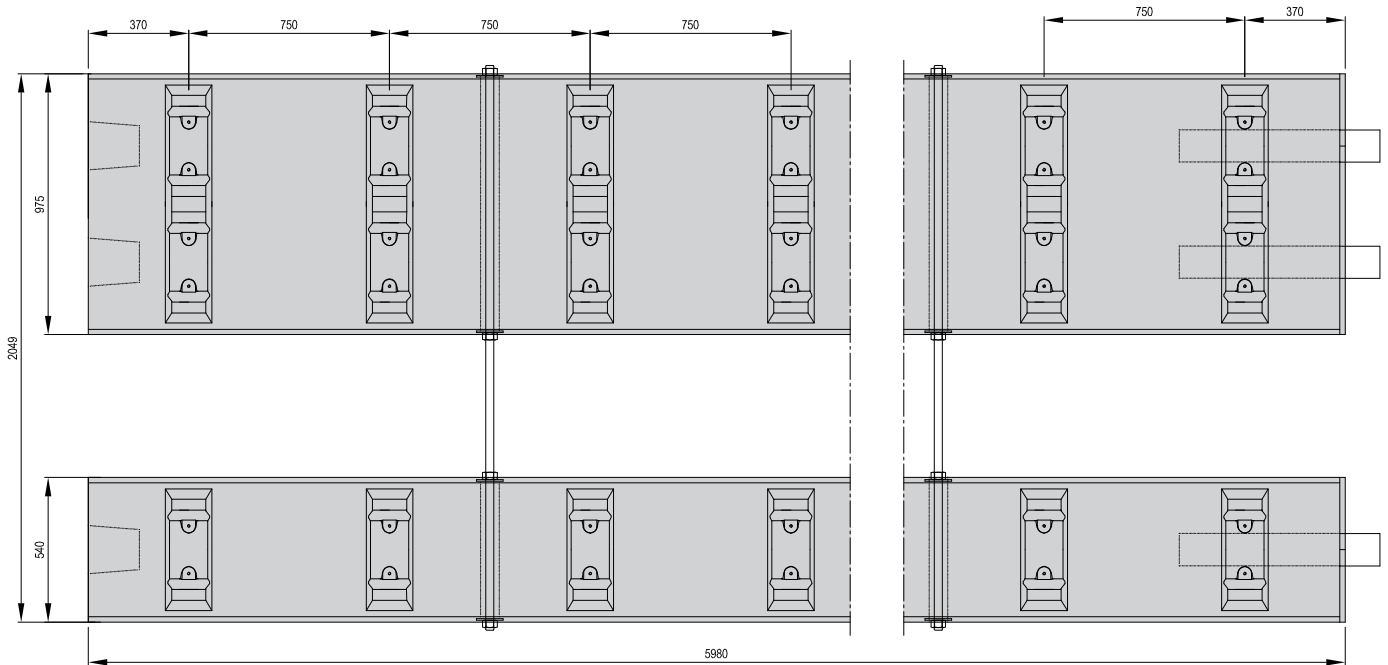
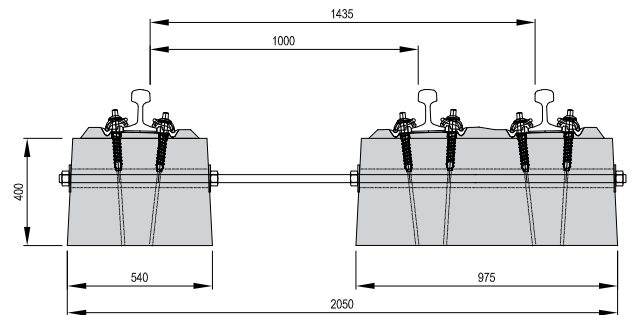


## "System Moll – The Green Track" 3-Rail Longitudinal Concrete Sleeper for Rail fastening W



All dimensions in mm



Field of application:	Urban Transit
Permissible wheel set load:	160 kN
Rail inclination:	1:40 / 1:∞ according to customer specification
Track gauge:	1435 mm and 1000 mm or according to customer specification
Length:	6 m
Radii = 250 m are feasible by means of shorter longitudinal beams	
Rail fastening system:	W 14 or according to customer specification
Rail:	49 E 1, 54 E 3 rail foot width 125 mm
Weight:	With rail fastening system, approx. 5,615 kg
Can also be delivered with guide or securing rail incl. transition.	
Produced according to DIN 1045, DIN 1054, DIN 1055, DIN 18800 as well as load specifications by the customer	